

GATITU SECONDARY SCHOOL P.O BOX 327- 01030 GATUNDU.

FORM I TERM 3 2014 MATHEMATICS TUNE-UP EXAM.

NAME-----ADM-----

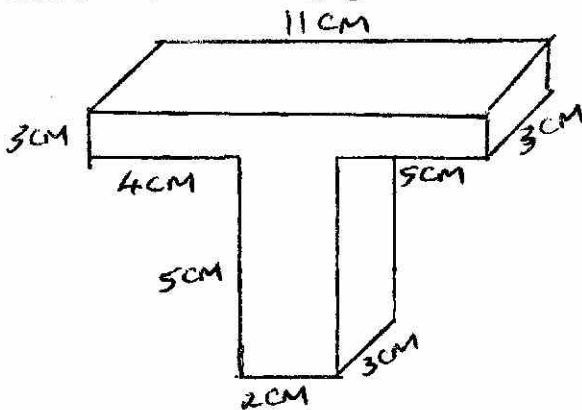
1 An athlete took 5 minutes 39 seconds to complete a 3000m race. If the athlete crossed the finishing line at 4.15 pm, at what time did the race start (3mks)

2 Convert the following into hours, minutes and seconds.

(i) 7,552sec (2mks)

(ii) 32,449 sec (2mks)

3 Find the surface area of the following figure. (4mks)



4 A goat is tethered to a post by a rope 6.3m long .Find its maximum grazing area. (3mks)

5 A cylindrical column of fat has diameter 17.5 cm and height 10 cm. Calculate the density of fat if the column has a mass of 2 kg. (3mks)

6 Express in kg/m^3

(i) 11.4 g/cm^3 (2mks)

(ii) 450g/m^3 (2mks)

7 A school tank has a radius of 2.1 m and a height of 450 cm.

(a) How many liters of water does it carry when full?

(3mks)

(b) If the school uses 5000 liters of water a day approximately how many days will the tank last
(3mks)

8 The enrolment in a given school was 1283 pupils last year. The enrolment this year is 109% of last year. What is this year's enrolment?

(3mks)