

441/ 2
HOME SCIENCE
PAPER 2
CLOTHING construction
(PRACTICAL)
JULY / AUGUST 2016
TIME: 2 ½ HOURS

MAKUENI COUNTY CLUSTER PREPARATORY EXAMINATION 2016

Kenya Certificate of Secondary Education (K.C.S.E)

441/ 2
HOME SCIENCE
PAPER 2
CLOTHING AND TEXTILES
(PRACTICAL)
TIME: 2 ½ HOURS

This paper consists of 3 printed pages. Candidates should check to ensure that all pages are printed as indicated and no questions are missing

A pattern of a child's skirt is provided. You are advised to study the sketches, the question paper and the layout before the test.

MATERIALS PROVIDED:

1. Pattern pieces
 - A. Skirt front
 - B. Skirt back
 - C. Waist band
 - D. Pocket
 2. Plain cotton fabric 50cm by 91cm.
 3. Mercerized sewing cotton thread to match the fabric.
- NB: Use pattern piece C to cut an interfacing for the waist band.

THE TEST:

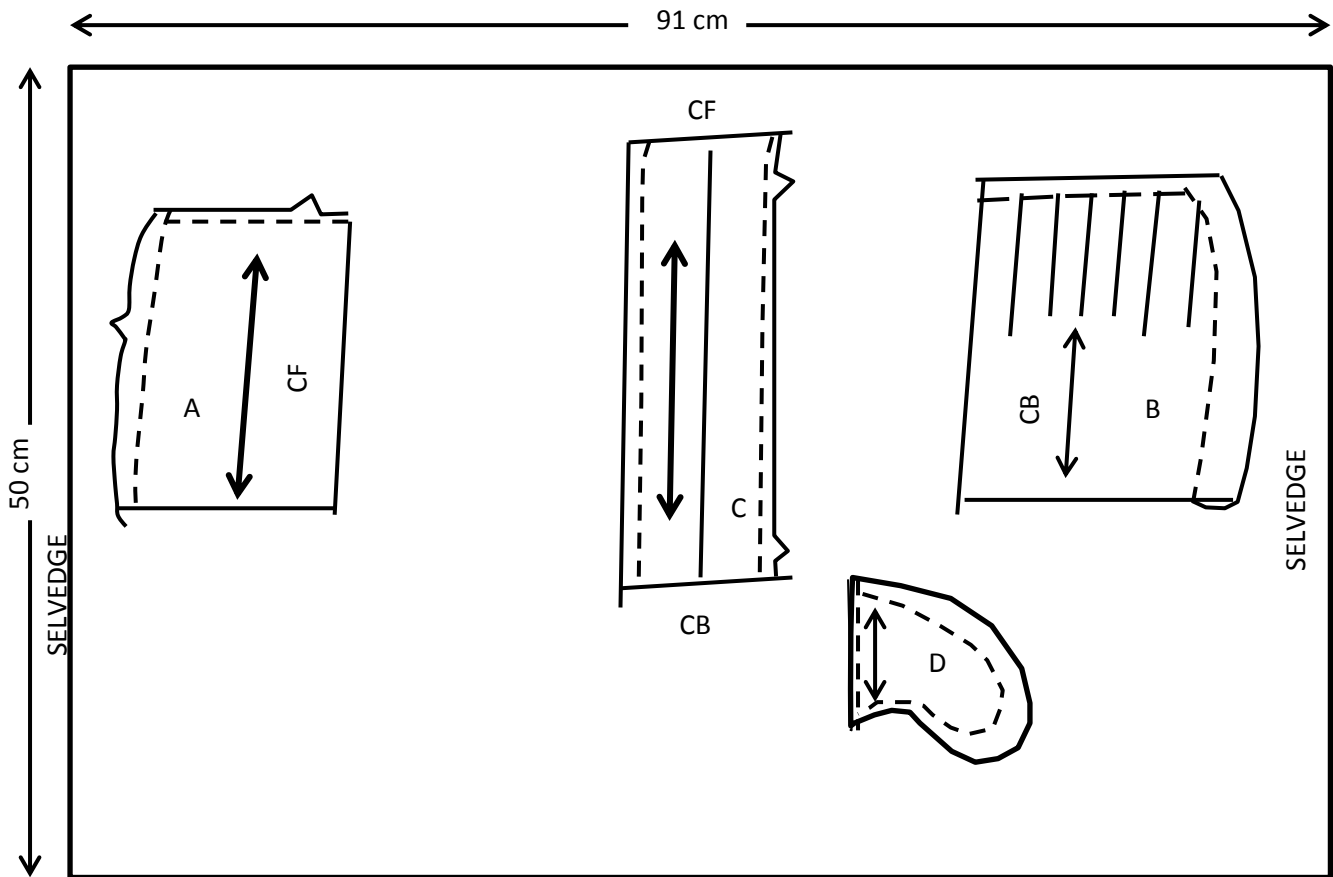
Using the materials provided, cut out and make up the right half of the skirt to show the following:

- a) Arranging the pleats on the skirt back.
- b) Making gathers on the skirt front
- c) Preparation and attaching the in- seam pocket
- d) Neatening the pocket raw edges
- e) Making the skirt side seam using an open seam
- f) Neatening the seam with edge stitching.
- g) Preparing the waist band using the interfacing
- h) Attaching the waist band to the skirt.
- i) Managing the lower hem of the skirt by slip hemming.

At the end of the examination, firmly sew on to your work on a single fabric a label bearing your name and index number.

Remove unwanted threads and pins from your work.

(LAYOUT NOT DRAWN TO SCALE)



BACK VIEW

FRONT VIEW

